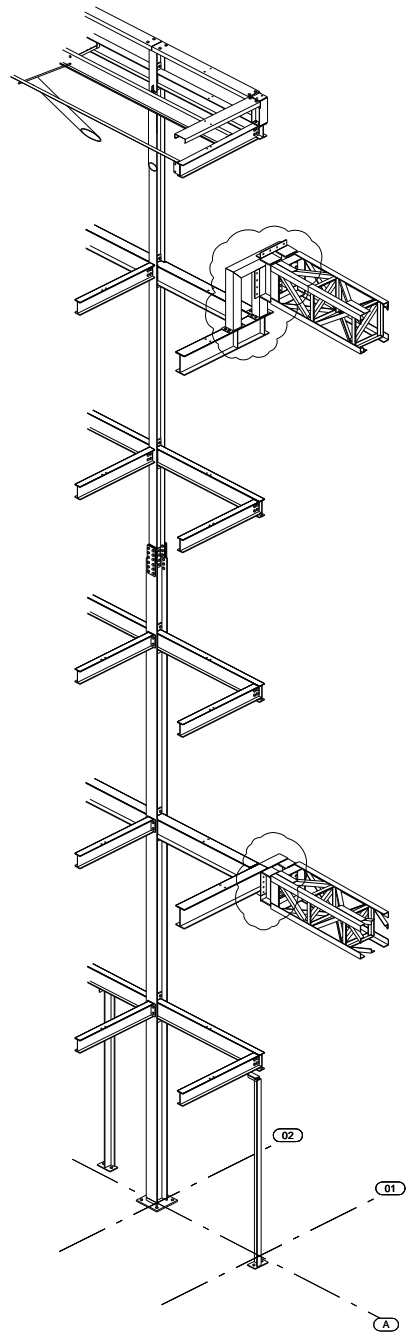
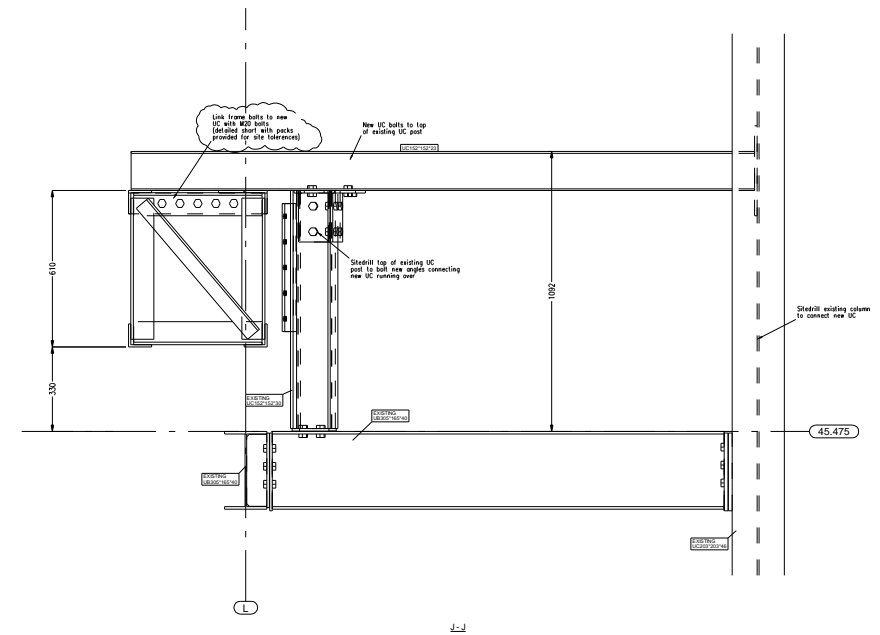
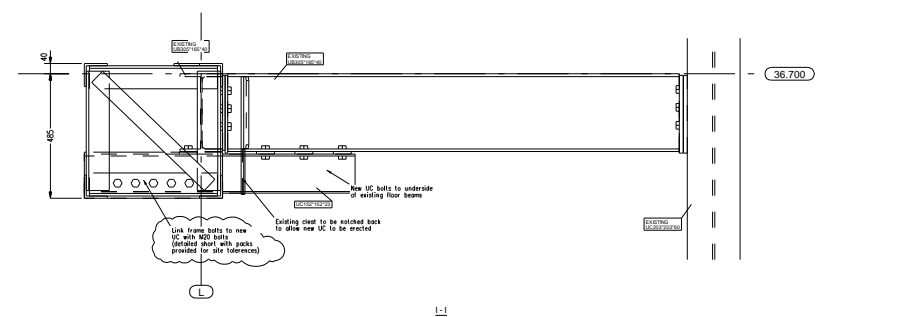


3D @ BlockD End Of Link



3D @ BlockE End Of Link



| | |
|--|---|
| ROBINSON | |
| <small>S. Robinson & Sons (Engineers) Limited Wincanton Close Alport Drive Derby DE24 0LW Telephone 01332 874711 Fax 01332 861483 E-Mail: DO@robsonrsl.com Web: www.robsonrsl.com</small> | |
| CLIENT Opal Property Group Chetlives Yard, Nottingham | |
| TITLE Link Girders - Blocks D to E | |
| PROJECT NAME Chetlives Yard Block E | |
| Scale: 1:10 Arrangements by: D.N. Drawn by: D.N. Checked by: R.C. Date: 08.10.2010 | Contract No: 9237 Drawing No: GA017 Revision: A Status: SHOT BLAST & PRIME |
| Construction Issue | |